

Kardo

Pole-mounted monitor arm, single
PMA521



Features

Quick release 75mm/100mm VESA mounting plates as standard with hand-turn fixing screws

Quick release arm height adjustment

Includes pre-assembled hand-turn desk edge clamp and hand-turn through-desk clamp

Complete cable management

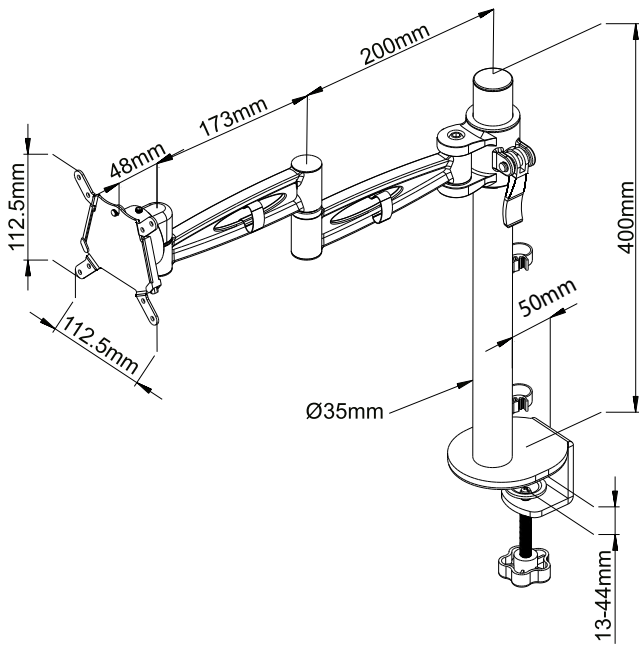
Integrated flower holder in the pole

Low profile mini clamp option (KMC1827)

Available in black (RAL9017), grey (RAL9006) or white (RAL9016)

Module Dimensions	See following pages
Capacities	Supports 1 screen up to 12.5kg
Desktop Depth	13-44mm
Weight	
Materials	Steel
Warranty	5 years
	BS EN ISO 9241 Workplace Ergonomics PP 045 Safety & Durability
Boxed Dimensions	W540 x D260 x H110 mm
Boxed Weight	3.75kg
Outer Box Dimensions - 2 units	
Outer Box Weight	8kg

Dimensions



Through-desk hole (for bolt)

Minimum: Ø12mm

Maximum Ø80mm

Sustainability

Material	Material Content (%)	Recycled Content (%)	Recyclability (%)
Steel	34.27%	0%	100%
Aluminum	65.50%	0%	100%
Plastic	0.23%	5%	100%

Kardo

Pole-mounted monitor arm, dual/twin
PMA522



Features

Quick release 75mm/100mm VESA mounting plates as standard with hand-turn fixing screws

Quick release arm height adjustment

Includes pre-assembled hand-turn desk edge clamp and hand-turn through-desk clamp

Complete cable management

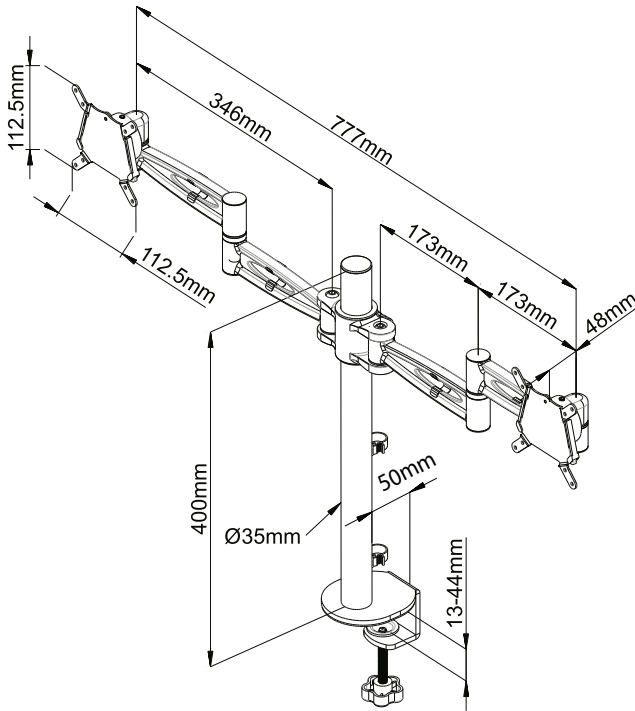
Integrated flower holder in the pole

Low profile mini clamp option (KMC1827)

Available in black (RAL9017), grey (RAL9006) or white (RAL9016)

Module Dimensions	See following pages
Capacities	Supports 2 x screens up to up to 27" 2 x 10kg (20kg total)
Desktop Depth	13-44mm
Weight	
Materials	Steel
Warranty	5 years
	BS EN ISO 9241 Workplace Ergonomics PP 045 Safety & Durability
Boxed Dimensions	W540 x D260 x H110 mm
Boxed Weight	4.8kg
Outer Box Dimensions - 2 units	
Outer Box Weight	10kg

Dimensions



Through-desk hole (for bolt)

Minimum: Ø12mm

Maximum Ø80mm

Sustainability

Material	Material Content (%)	Recycled Content (%)	Recyclability (%)
Steel	36.10%	0%	100%
Aluminum	63.54%	0%	100%
Plastic	0.36%	5%	100%

Kardo

Pole-mounted monitor arm, triple
PMA523



Features

Quick release 75mm/100mm VESA mounting plates as standard with hand-turn fixing screws

Quick release arm height adjustment

Includes pre-assembled hand-turn desk edge clamp and hand-turn through-desk clamp

Complete cable management

Integrated flower holder in the pole

Low profile mini clamp option (KMC1827)

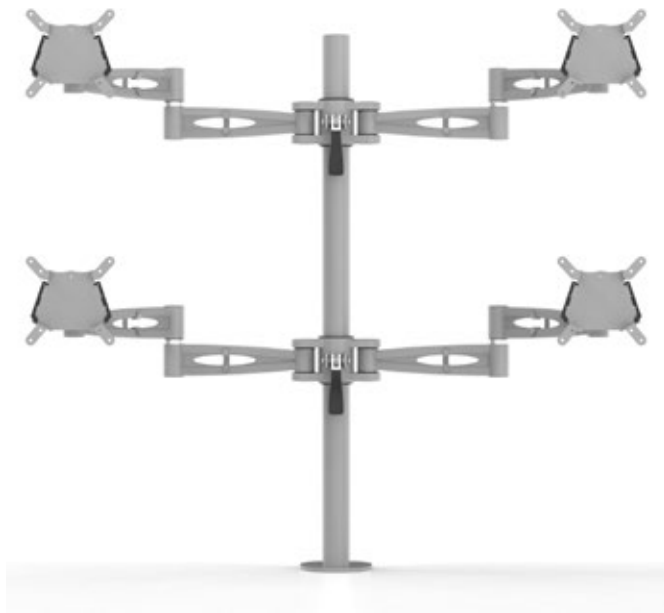
Available in black (RAL9017), grey (RAL9006) or white (RAL9016)

Module Dimensions	<i>See following pages</i>
Capacities	Supports 3 x screens up to 27" 3 x 10kg (30kg total)
Desktop Depth	13-44mm
Weight	
Materials	Steel
Warranty	5 years
	BS EN ISO 9241 Workplace Ergonomics PP 045 Safety & Durability
Boxed Dimensions	
Boxed Weight	



Kardo

Pole-mounted monitor arm, quad
PMA524



Features

Quick release 75mm/100mm VESA mounting plates as standard with hand-turn fixing screws

Quick release arm height adjustment

Includes pre-assembled hand-turn desk edge clamp and hand-turn through-desk clamp

Complete cable management

Integrated flower holder in the pole

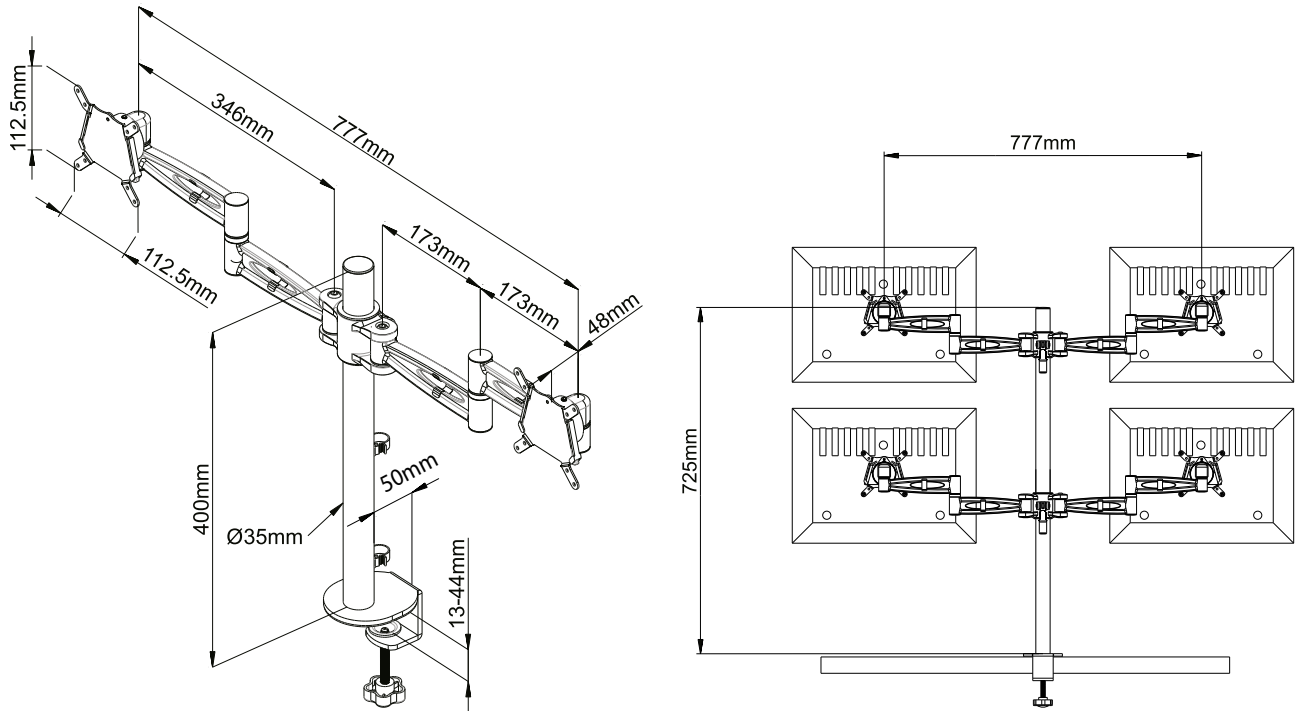
Low profile mini clamp option (KMC1827)

Available in black (RAL9017), grey (RAL9006) or white (RAL9016)

Module Dimensions	See following pages
Capacities	Supports 4 x screens up to 27" 4 x 8kg (32kg total)
Desktop Depth	13-44mm
Weight	
Materials	Steel
Warranty	5 years
	BS EN ISO 9241 Workplace Ergonomics PP 045 Safety & Durability
Boxed Dimensions (2 boxes)	W540 x D260 x H110 mm
Boxed Weight	5.4kg each
Outer Box Dimensions - ?? units	
Outer Box Weight	



Dimensions



Through-desk hole (for bolt)

Minimum: Ø12mm

Maximum Ø80mm

Kardo

Tool rail mounted monitor arm, single
PMSA521



Features

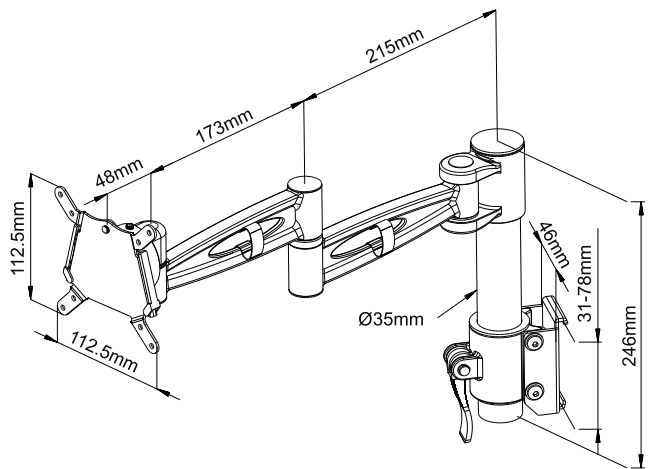
Quick release 75mm/100mm VESA mounting plates as standard with hand-turn fixing screws

Quick release arm height adjustment

Complete cable management

Integrated flower holder in the pole

Available in black (RAL9017), grey (RAL9006) or white (RAL9016)



Module Dimensions	See above
Capacities	Supports 1 screen up to 6kg
Weight	
Materials	Steel
Warranty	5 years
	BS EN ISO 9241 Workplace Ergonomics PP 045 Safety & Durability
Boxed Dimensions	W225 x D270 x H65 mm
Boxed Weight	1.3kg

Sustainability

Material	Material Content (%)	Recycled Content (%)	Recyclability (%)
Steel	51.65%	0%	100%
Aluminum	45.90%	0%	100%
Plastic	2.45%	5%	100%



Kardo

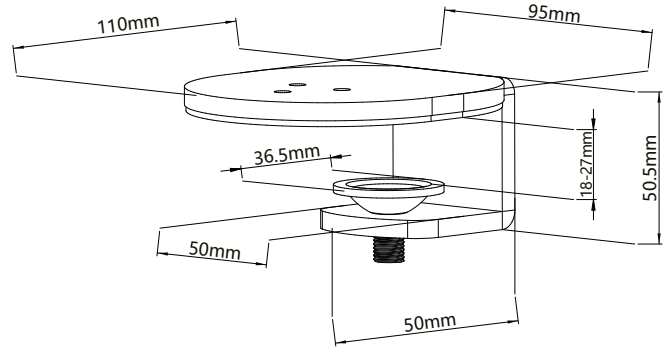
Low profile mini clamp
KMC1827



Features

Alternative desk edge clamp for Kardo pole

Available in black (RAL9017), grey (RAL9006) or white (RAL9016)



Module Dimensions	See above
Desktop Depth	18-27mm
Weight	
Materials	Steel
Warranty	5 years
	BS EN ISO 9241 Workplace Ergonomics PP 045 Safety & Durability
Boxed Dimensions	W120 x D100 x H55mm
Boxed Weight	0.6kg



Kardo

Monitor arm pole
EP500



Features

Through-desk desk clamp fixing kit available

Low profile mini clamp available

Available in black (RAL9017), grey (RAL9006) or white (RAL9016)



Module Dimensions	Ø35 x H500mm
Weight	
Materials	Steel
Warranty	5 years
	BS EN ISO 9241 Workplace Ergonomics PP 045 Safety & Durability
Boxed Dimensions	W560 x D40 x H40 mm
Boxed Weight	0.7kg
Outer Box Dimensions - 8 units	
Outer Box Weight	

Sustainability

Material	Material Content (%)	Recycled Content (%)	Recyclability (%)
Steel	100%	0%	100%



Kardo

Monitor arm pole
EP700



Features

- Alternative pole, extra height for 4 screens
- Through-desk desk clamp fixing kit available
- Low profile mini clamp available
- Available in black (RAL9017), grey (RAL9006) or white (RAL9016)

Module Dimensions	Ø35 x H700mm
Weight	
Materials	Steel
Warranty	5 years
	BS EN ISO 9241 Workplace Ergonomics PP 045 Safety & Durability
Boxed Dimensions	W710 x D40 x H40 mm
Boxed Weight	0.9kg
Outer Box Dimensions - 8 units	
Outer Box Weight	

Sustainability

Material	Material Content (%)	Recycled Content (%)	Recyclability (%)
Steel	100%	0%	100%

