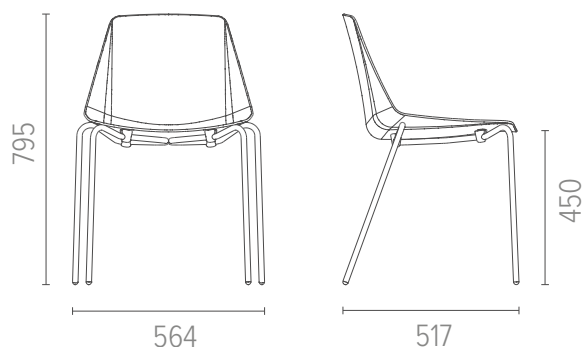


Havana

4-leg meeting chair

HCPA / HCUA



Technical specifications

Capacity	130kg recommended max. user weight
Frame	Ø16mm
Weight	5kg (+1kg for upholstered seat pad)
Warranty	5 years
Certification	BS EN 16139:2013

Features

- Stackable up to 6 high
- Choice of plastic shell colour: black, white, blue, dark grey, brick red, mustard yellow, sage green.
- Choice of steel legs: black, white or polished
- Upholstered seat pad option (choice of fabrics)

Boxed specifications

Dimensions	W600 x D700 x H880 mm
Weight	8kg



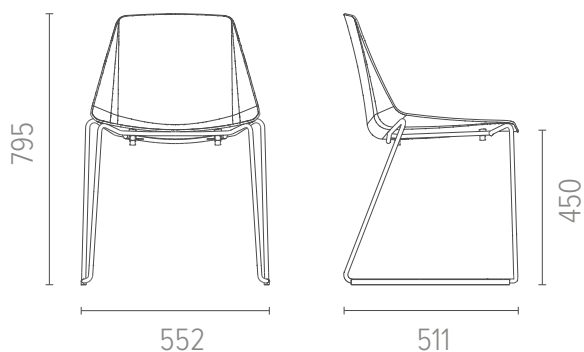
The swatches above are for reference and not an accurate representation of the chair finish. Please ask for plastic samples: support@formetiq.com

support@formetiq.com
+44 (0)1502 533 433
formetiq.com

Havana

Sled base meeting chair

HCPL / HCUL



Technical specifications

Capacity	130kg recommended max. user weight
Frame	Ø12mm
Weight	7kg (+1kg for upholstered seat pad)
Warranty	5 years
Certification	BS EN 16139:2013

Features

- Stackable up to 10 high
- Choice of plastic shell colour: black, white, blue, dark grey, brick red, mustard yellow, sage green.
- Choice of steel legs: black, white or polished
- Upholstered seat pad option (choice of fabrics)

Boxed specifications

Dimensions	W600 x D700 x H880 mm
Weight	10kg



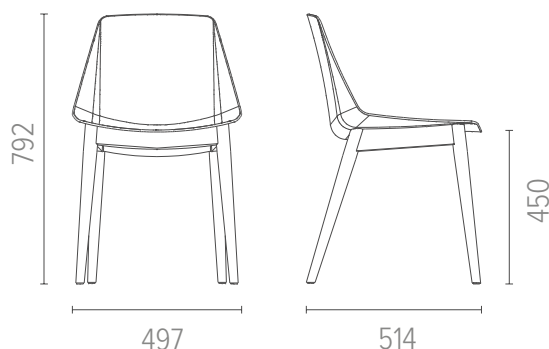
The swatches above are for reference and not an accurate representation of the chair finish. Please ask for plastic samples: support@formetiq.com

support@formetiq.com
+44 (0)1502 533 433
formetiq.com

Havana

Wooden leg meeting chair

HCPW-T / HCUW-T



Technical specifications

Capacity	130kg recommended max. user weight
Weight	5.5 (+1kg for upholstered seat pad)
Warranty	5 years
Certification	BS EN 16139:2013

Features

- Choice of plastic shell colour: black, white, blue, dark grey, brick red, mustard yellow, sage green.
- Natural beech wooden legs
- Upholstered seat pad option (choice of fabrics)

Boxed specifications

Dimensions	W600 x D700 x H880 mm
Weight	8.5kg



White (W) Blue (B) Black (K) Dark Grey (D)
RAL 9016 RAL 5009 RAL 9017 RAL 7011



Brick Red (R) Yellow (Y) Sage Green (G)
Pantone 17-1532 Pantone 17-0839 Pantone 17-6212

